

SNAP 350 offers simple walk-up and measure capability. Simply place the part on the worktable and press GO. SNAP 350 includes

- **Automation Speeds Throughput** – SnapShot identifies and measures features instantly – without programming. Measured results are easily reported and exported.
- **Telecentric Optics** – Ensure accurate measurements across the wide field of view with low distortion – even when not perfectly focused. Zoom Anywhere technology instantly zooms the image anywhere in the wide field of view to measure small features instantly.
- **Simplicity and Value** – Perform instant feature measurements on large parts. OGP dual mag optics, three light sources, a large field metrology camera, and an available 10x lens make SNAP 350 a strong choice when extra capacity, higher magnification, and increased throughput is critical.

Floor Model Large Field of View Video Measuring Machine with Large Capacity XY Stage

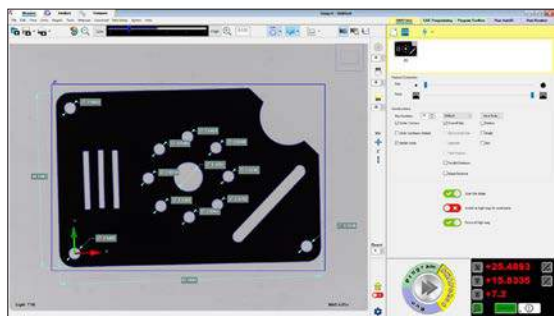


Rugged construction and an open work envelope make SNAP easy to implement in virtually any manufacturing setting

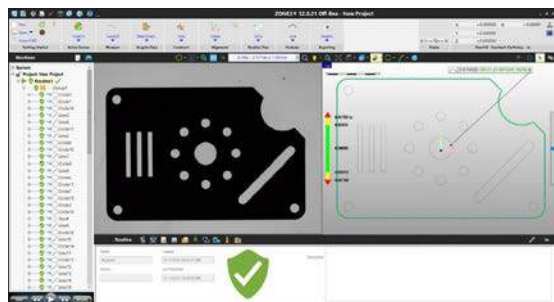
Measurements Made Simple

Choice of SNAP-X or ZONE3 Metrology Software

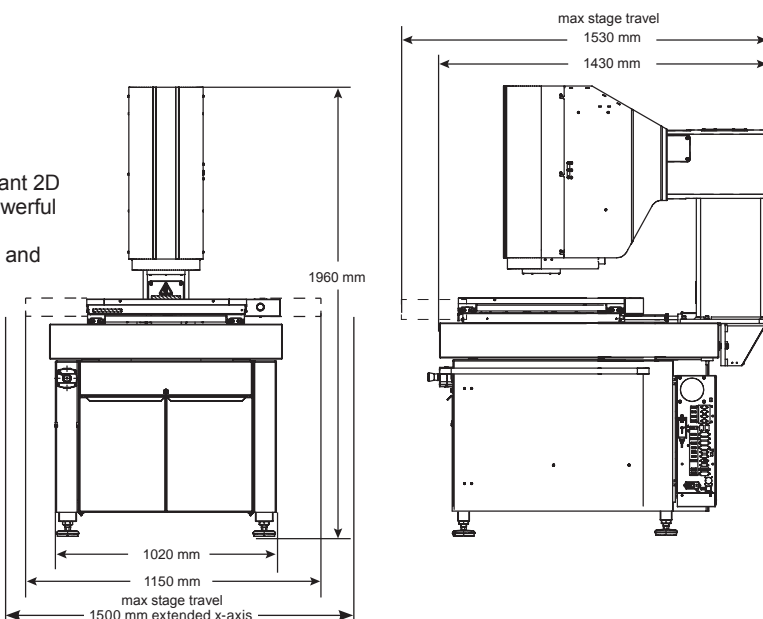
SNAP™ 350



SNAP-X software provides users with a simple, powerful interface for instant 2D measurement and auto program generation. The software also utilizes powerful GD&T based algorithms and point and click feature identification to easily program a wide variety of parts. Virtual chart gaging, profile analysis tools and integrated reporting allow for quick and easy output of measurements.



ZONE3 uses innovative features to automatically generate measurement routines resulting in faster programming and run times. Parallel Processing combined with intelligent routine Optimization can be used to measure as many features as can be seen simultaneously



System Weight: 1000 kg
Shipping Weight: 1200 kg

	Standard	Optional
Measuring Unit	Rugged steel frame and column with granite surface plate	
Stage	Precision motorized compound X,Y stage, motorized Z axis	
Stage Motion Range	X,Y: 380 mm x 380 mm Z: 150 mm with autofocus	X: 510 mm
Maximum Measuring Range (X,Y)	450 mm x 450 mm	610 mm x 450 mm (with optional extended X axis travel)
Maximum Recommended Stage Load	30 kg	
Optics	Telecentric, dual optical magnification with 4x high magnification lens	Telecentric, dual optical magnification 10x high magnification lens in lieu of 4x lens
Illumination	All LED, monochromatic substage profile light, coaxial square-on surface light and programmable 8-sector oblique ring light	
Metrology Camera	Large field megapixel metrology camera	
Field of View	Low Mag: 100 mm Ø 4x High Mag: 32 mm x 32 mm	10x High Mag: 13 mm x 13 mm
Max Digital Zoom	Low Mag: 42.2 mm x 42.2 mm 4x High Mag: 10.7 mm x 10.7 mm	10x High Mag: 4.3 mm x 4.3 mm
Depth of Field	Low Mag: 50 mm 4x High Mag: 10 mm	10x High Mag: 2 mm
Working Distance	Low Mag: 150 mm 4x High Mag: 150 mm	10x High Mag: 150 mm
Software	Metrology Software: SNAP-X Measure and Compare	Metrology Software: ZONE3 Express, Prime or Pro Productivity Software: SNAP-X Analyze, OGP® EVOLVE® SPC Offline Software: SNAP-X or ZONE3
User Control Unit	Multi-function hand controller with joystick and lighting controls	
System Controller	Standard system controller with networking and communication ports	Single flat panel LCD monitor, or dual flat panel LCD monitors; keyboard, mouse
Accessories		SNAP Miniature Rotary (SMR) indexer, barcode reader, USB digital I/O capability, fixture kit, calibration artifact
Power Requirements	100-120 VAC or 200-240 VAC, 50/60 Hz, 1 phase, 400 W	
Safe Operating Environment	15-30 °C, non-condensing	
Rated Environment	Temperature 18-22 °C, stable to ±1 °C, max rate of change 1 °C / hour, max vertical gradient of 1 °C / meter; 30-80% humidity; vibration <0.001g below 15 Hz	
XY FOV Accuracy (E₂)	Low Magnification Lens: (4.0 + L/50) µm 4x High Magnification Lens: (2.0 + L/50) µm	10x High Magnification Lens: (1.0 + L/50) µm
XY Area Accuracy (E₂)	(5.0 + 8L/1000) µm	(7.5 + 8L/1000) µm (with optional extended X travel)
Z Accuracy (E₁)	(25.0 + 6L/1000) µm	(12.5 + 6L/1000) µm (with optional 10X high mag lens)

Accuracy is evaluated with a QVI verification procedure where "L" is measured length in millimeters. Specifications apply within the rated environment. Optical specifications apply at the maximum digital magnification of the specified configuration. XY FOV Accuracy applies with an evenly distributed load up to 5 kg in the standard measuring plane. The standard measuring plane is defined as perpendicular to the optical axis within 0.5 mm, and within 5.0 mm of best focus.



Confidence. When Results Matter.™

World Headquarters: Rochester, NY, USA • 585.544.0400 • www.ogpnet.com

OGP Shanghai Co, Ltd: Shanghai, China
86.21.5045.8383/8989 • www.smartscope.com.cn

OGP Messtechnik GmbH: Hofheim-Wallau, Germany
49.6122.9968.0 • www.ogpmesstechnik.de

Optical Gaging (S) Pte Ltd: Singapore • 65.6741.8880 • www.smartscope.com.sg