



SprintMVP™ 400|600

SprintMVP 400 and 600 are large capacity, fully automatic, 3-axis dimensional measuring systems featuring high precision and capacity in a compact footprint.

- Motorized zoom lens optics with high resolution digital color camera
- Optional 300 mm Z-axis for extended measuring volume on SprintMVP 400 model
- Full function Measure-X® metrology software for fully automatic routines

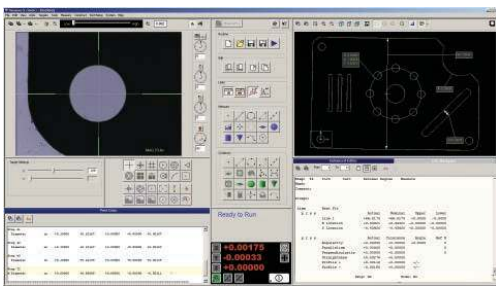
Large Capacity 3-Axis Measurement Systems

SprintMVP 400 600 Measuring Ranges (mm)				
		X	Y	Z
Models	400	450	450	150
	400 w/ Ext. Z-axis	450	450	300
	600	610	450	150



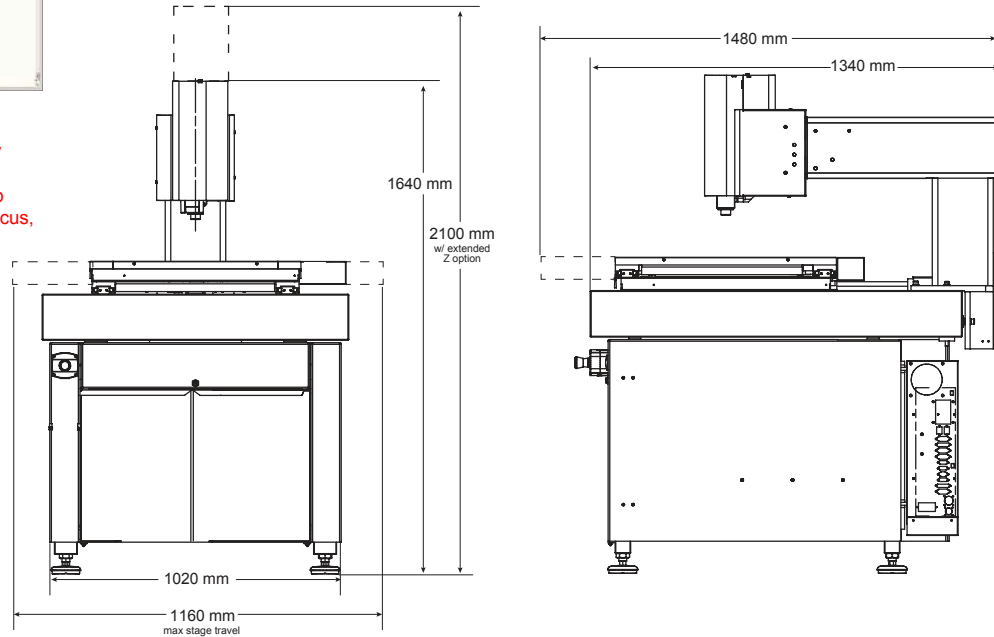
SprintMVP 400 model shown with extended Z travel

SprintMVP™ 400|600



Measurement Software

Measure-X is the world's most popular video metrology software. Measure-X makes it easy for SprintMVP to accurately measure fine features that require multi-step measurement routines, automatically combining autofocus, edge detection, programmable lighting, laser scanning and touch probing.



SprintMVP 400 with standard Z-axis shown

System Weight: Shipping Weight:
 400 Model - 1,215 kg 400 Model - 1,345 kg
 600 Model - 1,330 kg 600 Model - 1,500 kg

		Standard	Optional	
X, Y, Z Travel	400	450 x 450 x 150 mm	450 x 450 x 300 mm	
	600	610 x 450 x 150 mm		
X, Y, Z Scale Resolution		0.5 µm	0.1 µm	
Stage Drive System		Precision, compound motorized XY stage and linear Z stage with 3-axis joystick control		
Max Recommended Stage Load		30 kg		
Working Distance		62 mm (with standard VectorLight™)	Up to 133 mm (0.5x lens attachment)	
Imaging Optics		6.5:1, 10 position motorized zoom lens		
Lens Attachments		0.5X, 0.75X, 1.5X, 2.0X		
Field of View <small>*Uses optical and digital zoom</small>	Low Mag	High Mag*	Low Mag (0.5X)	High Mag* (2.0X)
	7.3 mm x 5.5 mm	0.5 mm x 0.4 mm	14.6 mm x 11.0 mm	0.27 mm x 0.20 mm
Metrology Camera		Digital, Megapixel Color Metrology Camera		
Magnification on 24" LCD Monitor		24x to 370x on-screen digital/optical magnification standard with full feature Measure-X layout		12x to 740x on-screen digital/optical magnification with optional add-on lenses and dual monitor user interface
Illumination		LED VectorLight SP programmable ring light with 6 rings and 7 sectors, LED backlight, LED square-on surface light		LED VectorLight SF programmable ring light with 6 rings and 8 sectors and LED square-on surface light (reduced working clearance)
Sensor Options		Renishaw touch probe and change rack, QVI DRS laser		
Controller		QVI® standard system controller with networking and communication ports		Single flat panel LCD monitor, or dual flat panel LCD monitors; keyboard, mouse
Software		Measure-X		
Miscellaneous Options		Temperature 15-30 °C		Rotary indexer, digital I/O capability
Power		100-120 VAC or 200-240 VAC, 50/60 Hz, 1 phase, 700W		
Operating Environment		Temperature 15-30 °C		
Rated Environment		Temperature 18-22 °C, stable to ±1 °C, max rate of change 1 °C / hour, max vertical gradient of 1 °C / meter; 30-80% humidity; vibration <0.001g below 15 Hz		
XY Area Accuracy		E ₂ : (3.0 + 8L/1000) µm (SprintMVP 400) E ₂ : (3.5 + 8L/1000) µm (SprintMVP 600)		
Z Linear Accuracy		E ₁ : (5.0 + 8L/1000) µm		E ₁ : (4.0 + 8L/1000) µm (with 2.0X lens attachment)

Accuracy is evaluated with a QVI verification procedure where "L" is measured length in millimeters. Specifications apply within the rated environment. Standard optical specifications apply at the maximum optical magnification of the standard configuration. XY Accuracy applies with an evenly distributed load up to 5 kg in the standard measuring plane. The standard measuring plane is defined as a plane that is within 25 mm of the worktable surface. Depending on load distribution, accuracy at maximum payload may be less than standard.



Confidence. When Results Matter.™

World Headquarters: Rochester, NY, USA • 585.544.0400 • www.ognet.com

OGP Shanghai Co, Ltd: Shanghai, China
 86.21.5045.8383/8989 • www.smartscope.com.cn

OGP Messtechnik GmbH: Hofheim-Wallau, Germany
 49.6122.9968.0 • www.ogpmesstechnik.de

Optical Gaging (S) Pte Ltd: Singapore • 65.6741.8880 • www.smartscope.com.sg